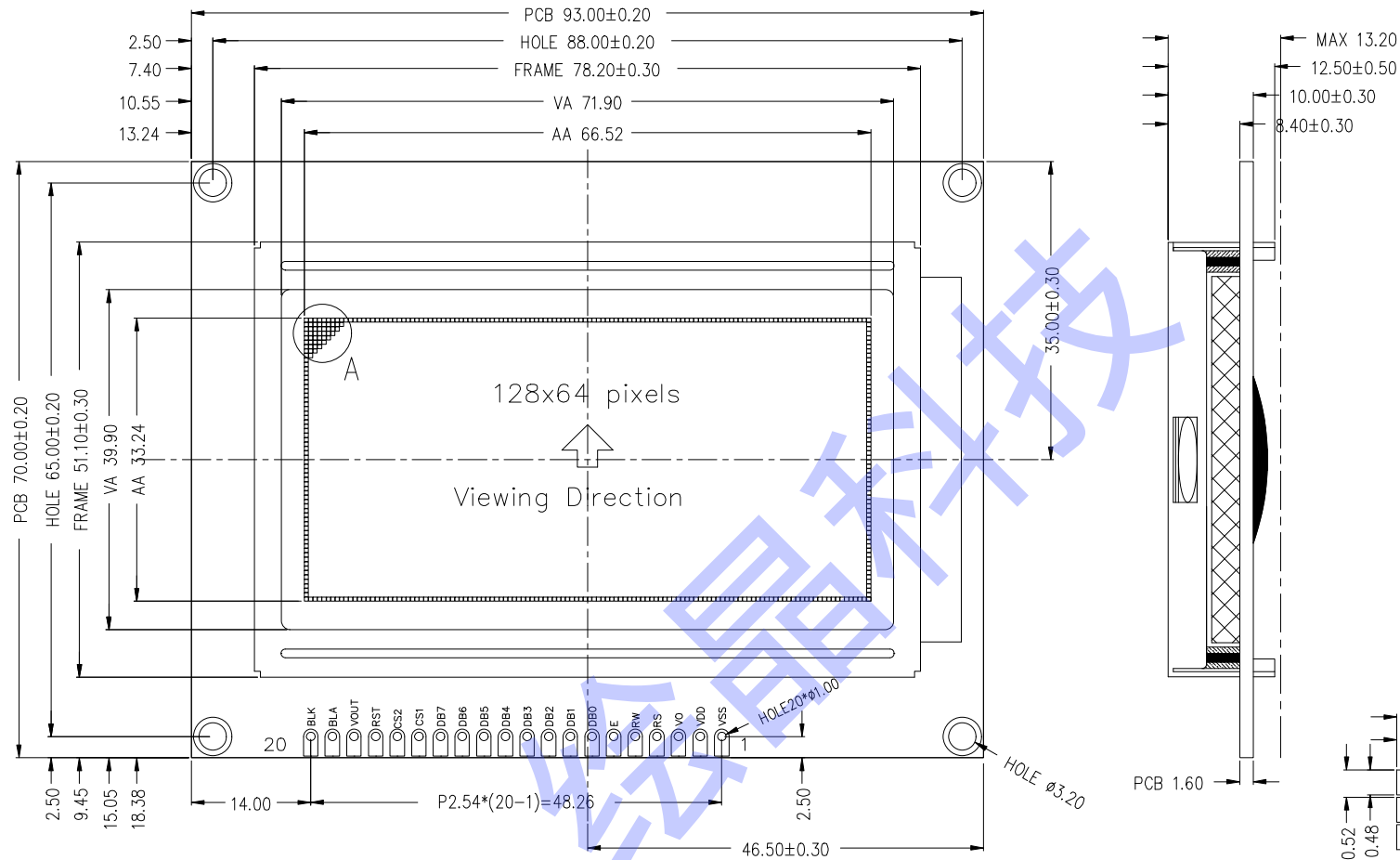
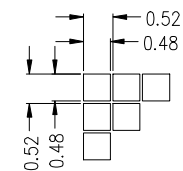


VER	DETIAL DISCRPTION	DATE
△1	The First Ammendment	2021-06-01

客户确认签名/
Customer signature



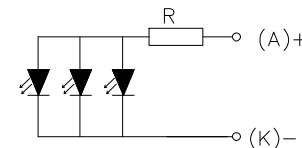
PIN DEFINATION	
CN_LCM	
1	VSS
2	VDD
3	V0
4	RS
5	R/W
6	E
7	D0
8	D1
9	D2
10	D3
11	D4
12	D5
13	D6
14	D7
15	CS1
16	CS2
17	RST
18	VOUT
19	A
20	K



Detail "A"

ITEM	PARAMETERS	ITEM	PARAMETERS
OPERATING VOLTAGE	5.0V	OPERATING TEMP	-20°C ~ 70°C
OPERATING CURRENT	5MA(max,WITHOUT BACKLIGHT)	STORAGE TEMP	-30°C ~ 80°C
LCD DRIVE VOLTAGE	9.5± 0.50V(VDD-V0)	BACKLIGHT	3 LED,40MA(TYP.),VLED=5.0V,YELLOW-GREEN
DISPLAY MODE	STN YELLOW-GREEN POSTIVE	ROHS STANDARD	YES <input checked="" type="checkbox"/> NO <input type="checkbox"/>
LCD DRIVE METHOD	DUTY:1/64; BIAS:1/9	CONNECTOR TYPE	HOLE
Driver/Controller	AIP31108 OR EQUIV	OTHER	此款默认5.0V，修改元件可支持3.3V工作模式 价格会有所上升，详情请咨询我司业务
VIEW DIRECTION	6:00 O'CLOCK	Third perspective	

Circuit Diagram



名称/NAME	COB 工程图
编号/MODEL NO.	12864TXA_YLY
版本/REV.	1.0
绘图/DWN	--
审核/APP	
联系方式/TEL	---
日期/DATE	--